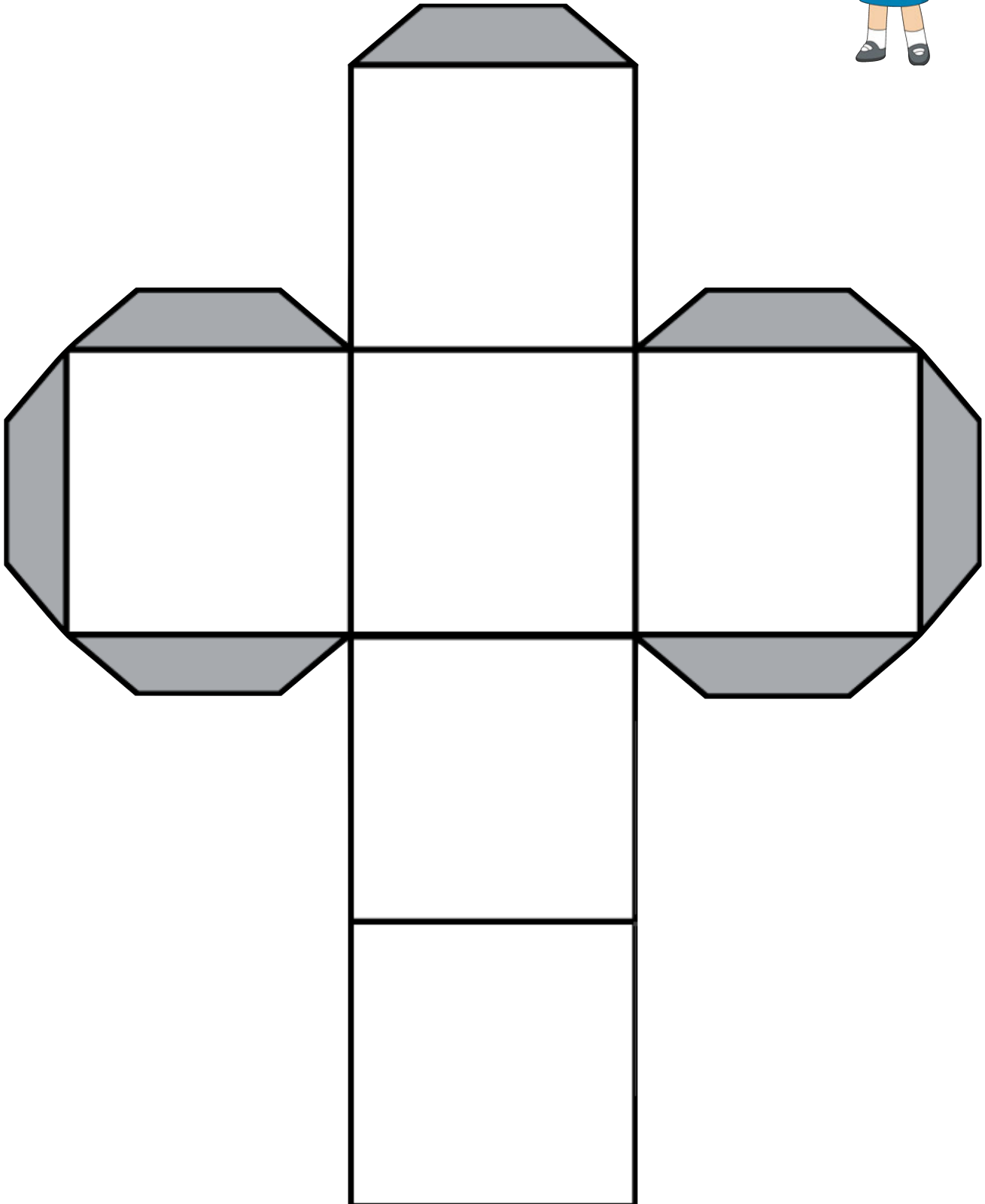


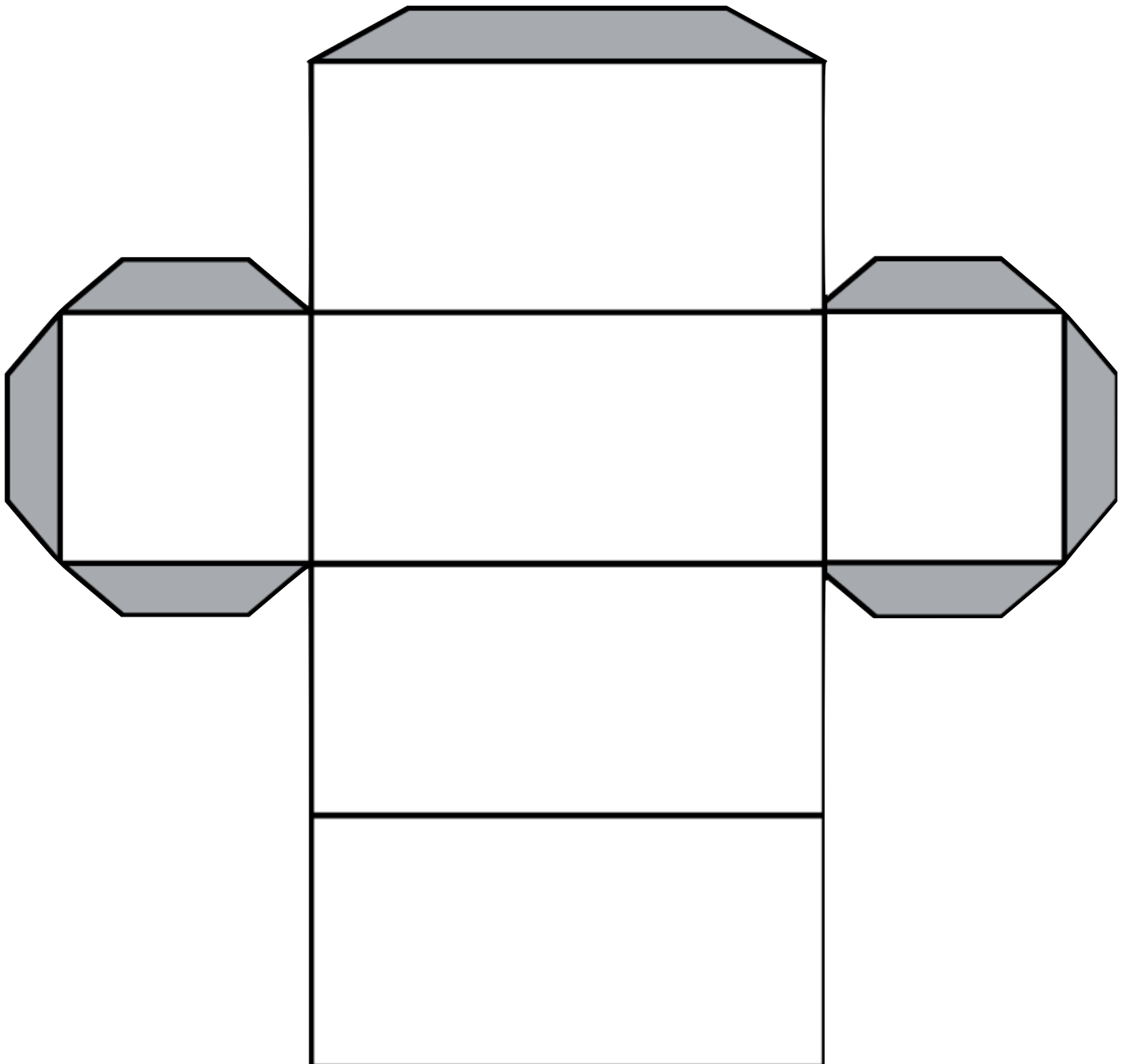
Name: \_\_\_\_\_ Date: \_\_\_\_\_

Cut around this net and then fold it up to make a cube. Be careful not to cut off the shaded parts...you will need these to stick the shape together!



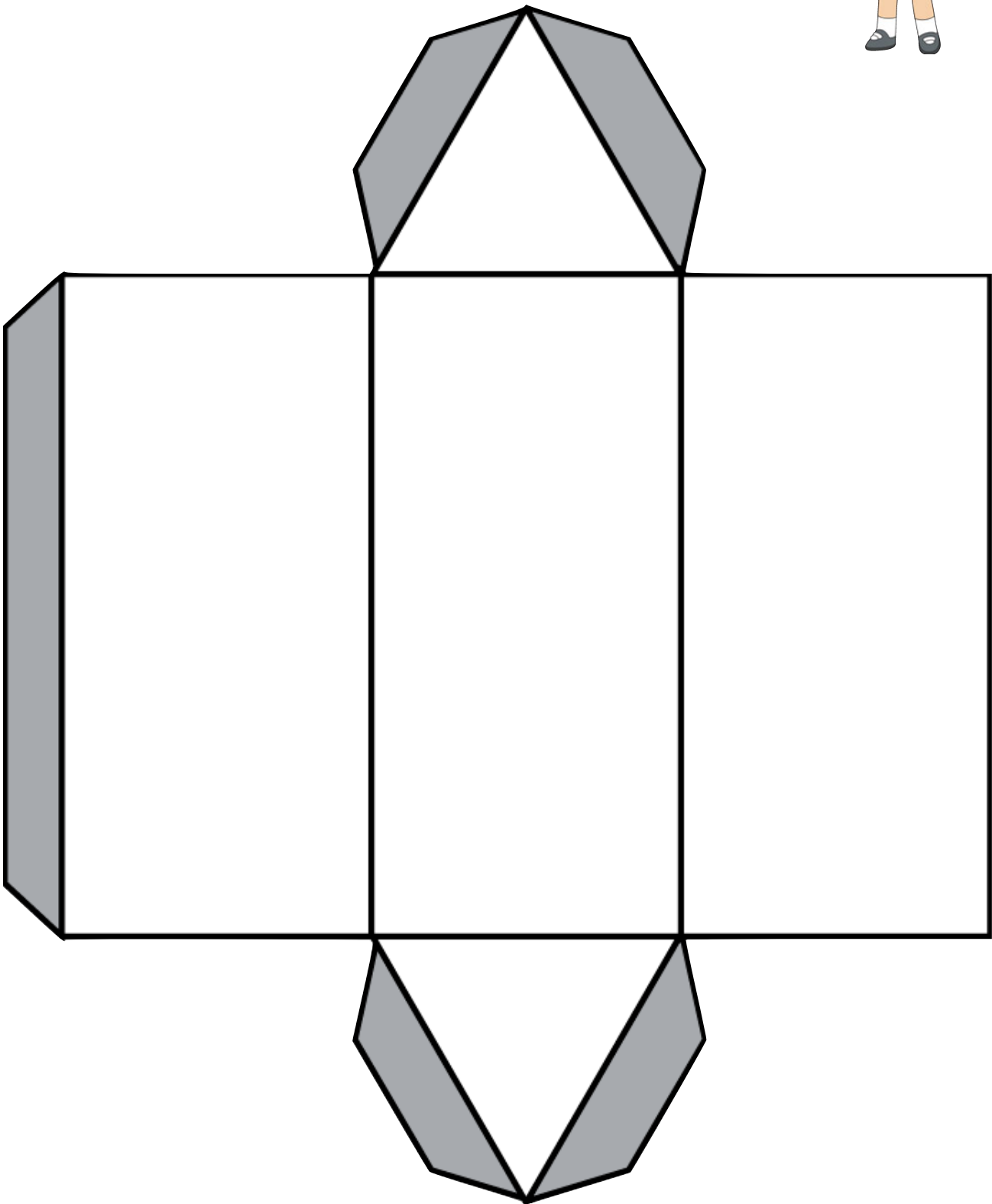
Name: \_\_\_\_\_ Date: \_\_\_\_\_

Cut around this net and then fold it up to make a cuboid. Be careful not to cut off the shaded parts...you will need these to stick the shape together!



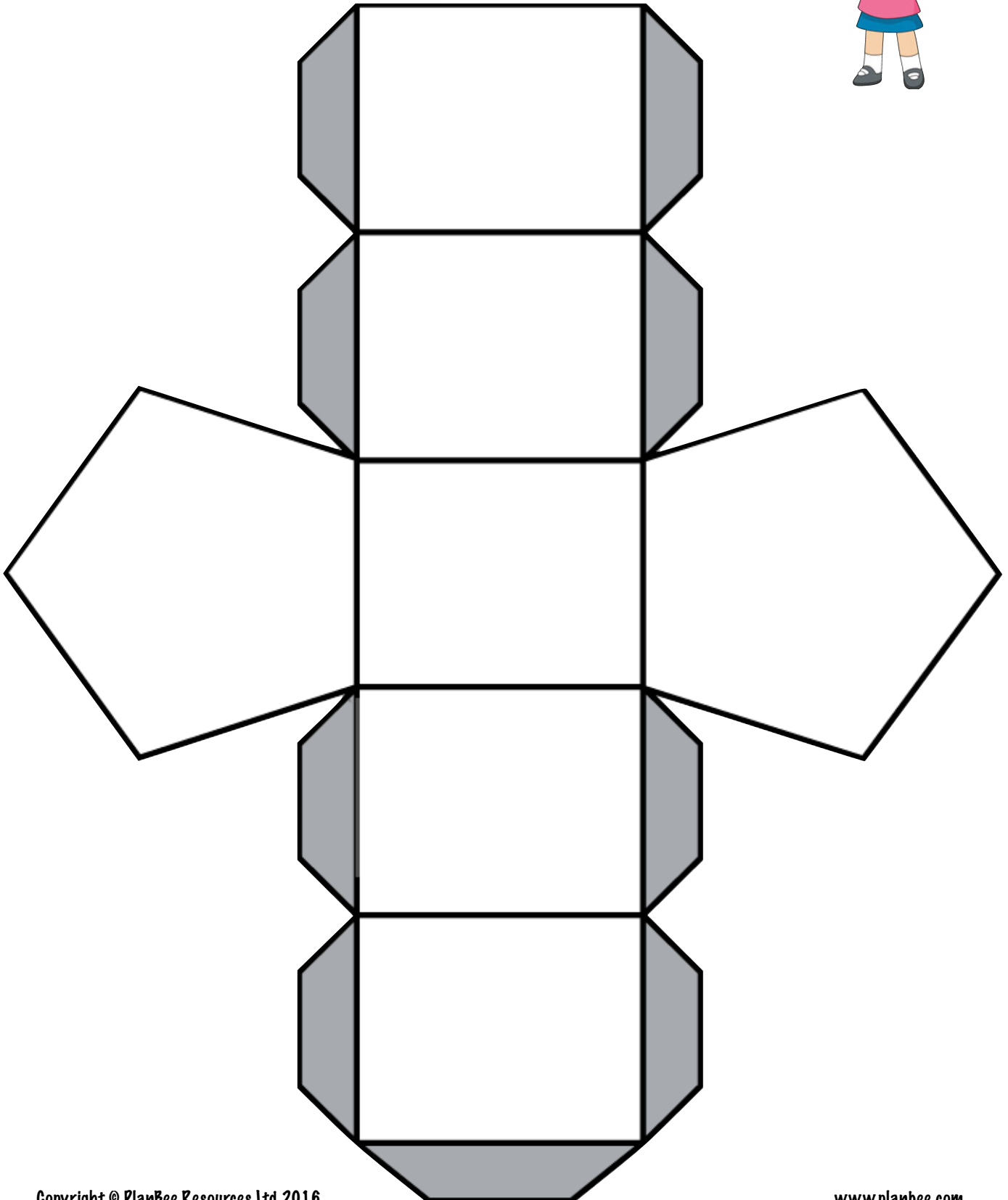
Name: \_\_\_\_\_ Date: \_\_\_\_\_

Cut around this net and then fold it up to make a triangular prism. Be careful not to cut off the shaded parts...you will need these to stick the shape together!



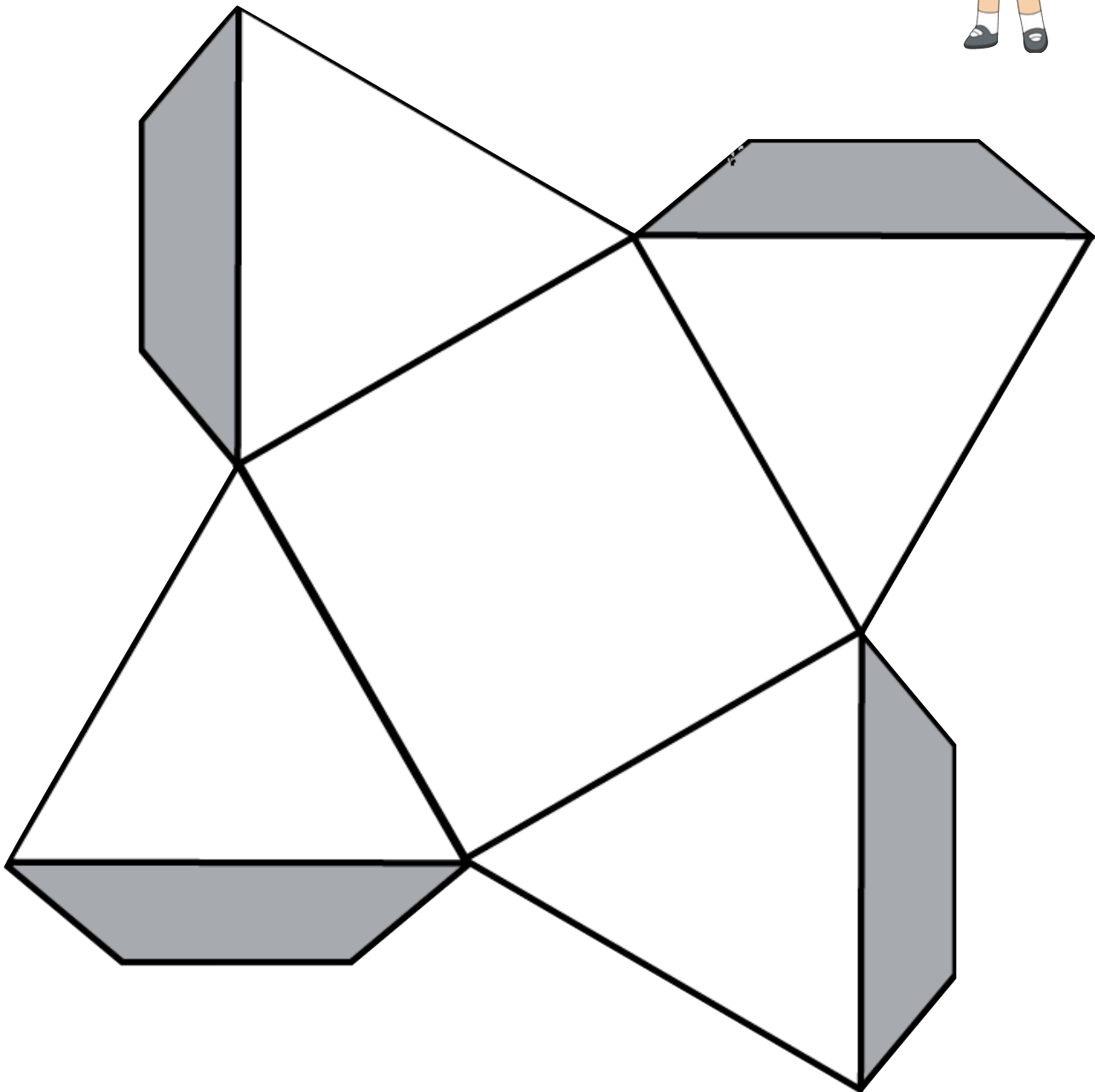
Name: \_\_\_\_\_ Date: \_\_\_\_\_

Cut around this net and then fold it up to make a pentagonal prism. Be careful not to cut off the shaded parts...you will need these to stick the shape together!



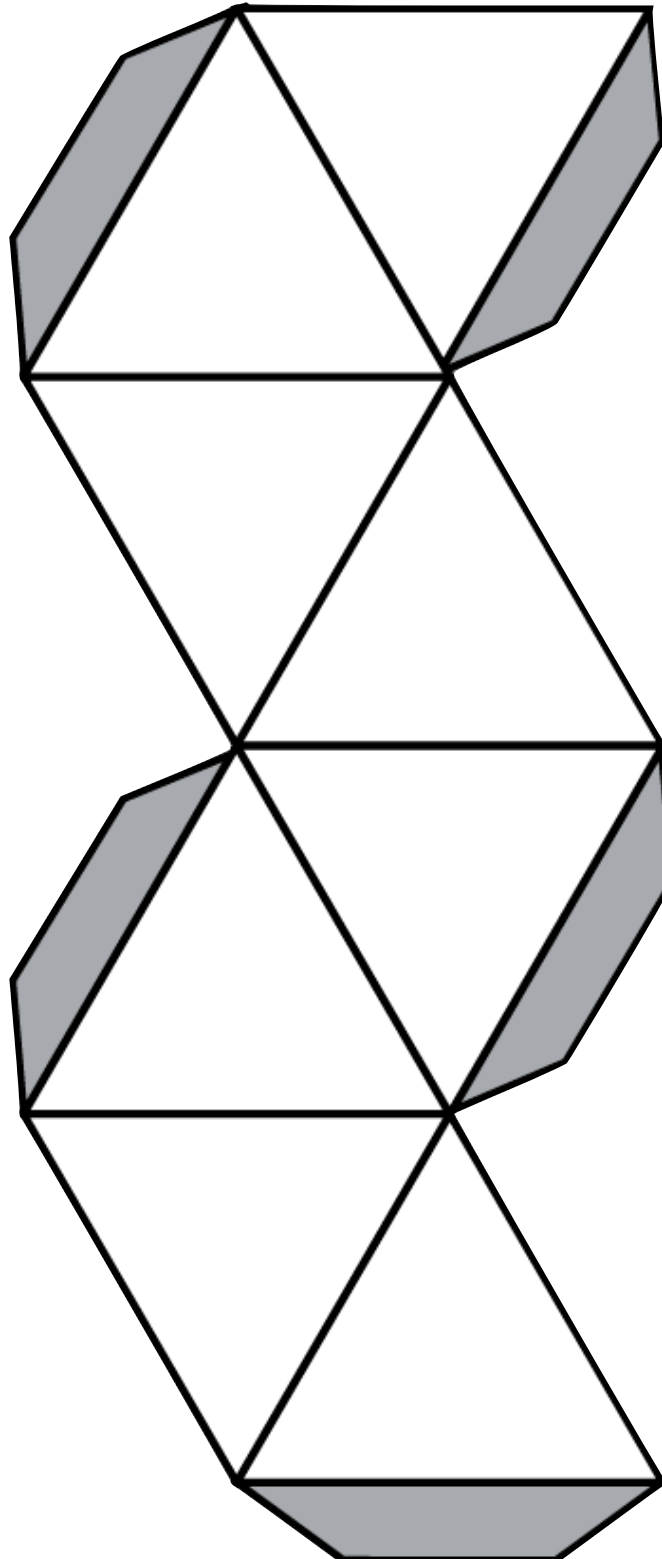
Name: \_\_\_\_\_ Date: \_\_\_\_\_

Cut around this net and then fold it up to make a pyramid. Be careful not to cut off the shaded parts...you will need these to stick the shape together!

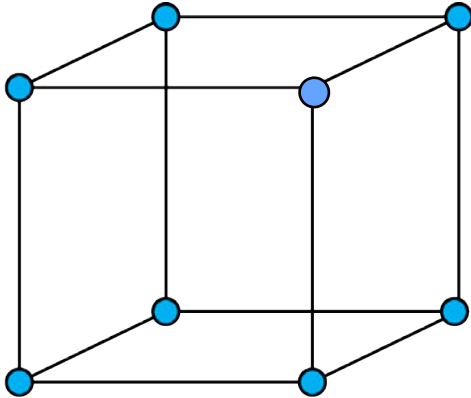


Name: \_\_\_\_\_ Date: \_\_\_\_\_

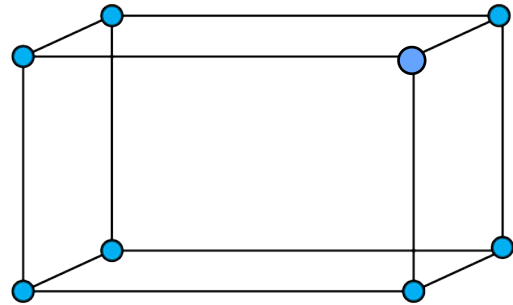
Cut around this net and then fold it up to make an octahedron. Be careful not to cut off the shaded parts...you will need these to stick the shape together!



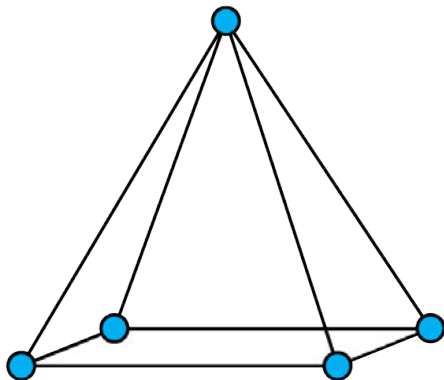
Can you make a model of a **CUBE** using spaghetti and plasticine?



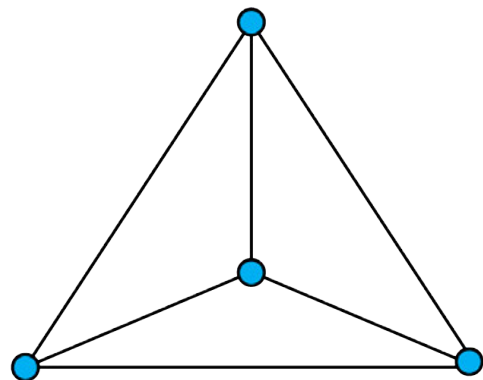
Can you make a model of a **CUBOID** using spaghetti and plasticine?



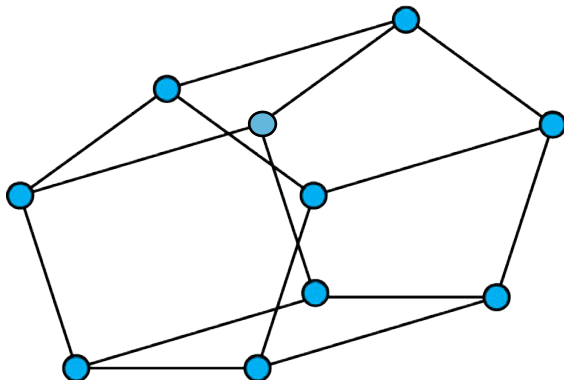
Can you make a model of a **PYRAMID** using spaghetti and plasticine?



Can you make a model of a **TETRAHEDRON** using spaghetti and plasticine?



Can you make a model of a **PENTAGONAL PRISM** using spaghetti and plasticine?



Can you make a model of a **HEXAGONAL PRISM** using spaghetti and plasticine?

